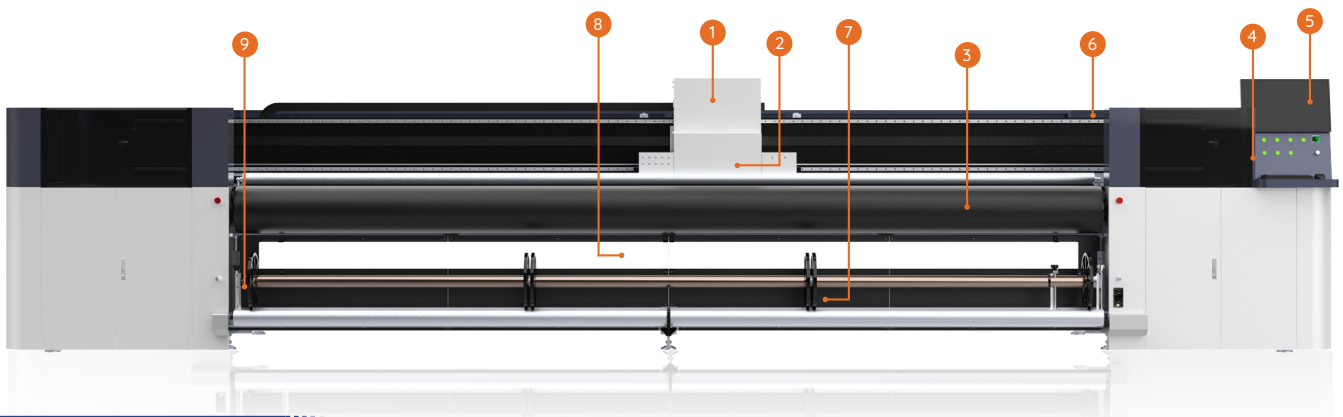


# M5300 Industrial Hybrid KM Series

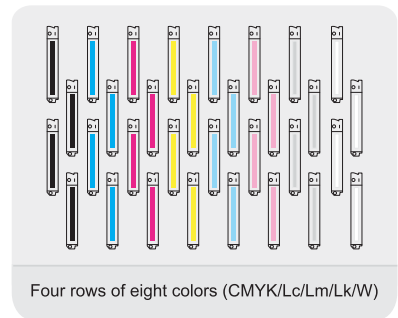
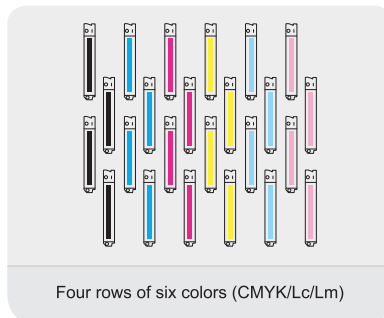
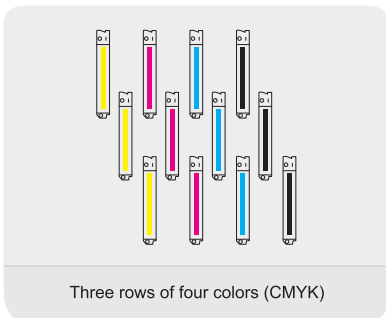
The JHF M5300 Hybrid UV Printer combines ultra-wide performance with sustainable innovation. Capable of printing on both rigid and flexible materials up to 5 meters wide, it delivers vibrant, high-precision results for signage, decor, and industrial applications. With energy-efficient UV LED curing and reduced ink waste, the M5300 ensures powerful productivity while maintaining an eco-friendly footprint, making it perfect for businesses seeking to print smarter and greener.

## Product Information

- 1 Carriage and Printhead
- 4 Control Station
- 7 Multi-Roll Feeding Kit
- 2 UV-LED Curing Lamps
- 5 Status light Tower
- 8 Vacuum Table
- 3 Media Drive Rollers
- 6 Material Loading and Take-Up Core Adapter
- 9 Media Take-Up System

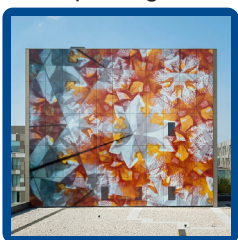


## Color Configuration



## Application

Glass & Ceramic printing



Outdoor Billboards



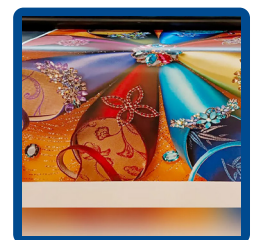
Floor Graphics



Packaging



Fine art



Headquarters: DIP-2, Plot No: 597-634, P.O. Box No: 27402, Dubai, UAE. Tel: +971 4 8049800.  
 UAE Customer Support # 800 74463. Locations: UAE, KSA, OMAN, KUWAIT, QATAR & BAHRAIN  
 Please Visit our Online Store at [www.bluerhine.store](http://www.bluerhine.store)

## M5300 Industrial Hybrid KM Series

### Technical Specifications

Printing width	5000mm
Printhead	KM 13pl or KM 6pl
Quantity of heads	6C*6
Printing Speed	High speed mode      326x1080dpi      400m <sup>2</sup> /h Production Mode      726x720dpi      310m <sup>2</sup> /h Fine mode      726x1080dpi      210m <sup>2</sup> /h High Quality Mode      726x1440dpi      165m <sup>2</sup> /h <small>(the above mentioned speed is based on speed without smooth, radiant effect)</small>
Substrates	Flexible film, 3P cloth, fabric, wall a er, leather, banner, reflective film, canvas etc.
X-direction carriage driven	Linear motor (Maglev)
Ink tank	5L
Image format	TIFF, JPEG, POSTSCRIPT, EPS,PDF
Color	C, M, Y, K, Lc, Lm, W
Temperature	18-28°C
Humidity	40%-60%
Connectivity	USB
Machine power	12KW/380V
Input voltage	380V/50/60Hz
Machine size	L 8050mm x W 2170mm x H 1840mm
Machine weight	5500kg

Note: Multi-rolls kit, pls kindly note it is optional with extra cost if need to order.